

PICODRUM[®]

Disconnection free / emergency free in optical fiber even under electric extension wire-like handling. The PICODRUM is designed for preliminary construction and short-distance connection of optical fibers.

**NEW
PRODUCT
RELEASE**

Features of PICODRUM

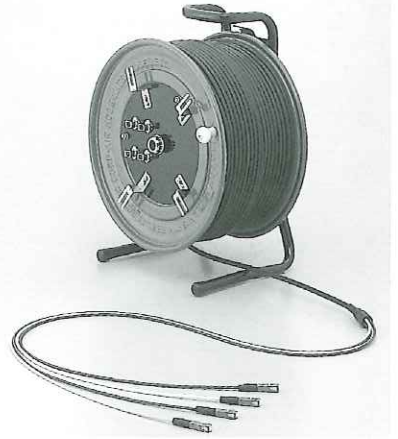
- Easy portability due to the integration of the PICOCABLE and the PICOFLEC into the PICODRUM eliminates restriction on construction sites.
- The combined use of one or more PICODRUMs expands and widens the optical fiber connection area.
- Designed to be lightweight, at 10kg, the PICODRUM offers fail-safe and high efficient installation at elevated spots or unstable sites.
- Standard specifications
Number of fibers : 4 (SM/GI)
Optical connector : SC
Drum supporting optical Connector : SC
Cable length : approx. 120m
Weight : approx. 10kg



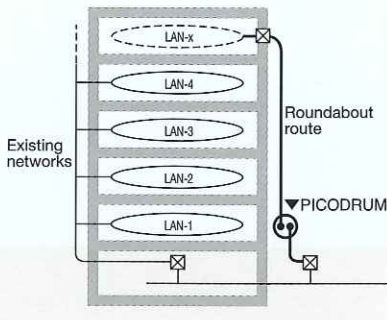
PICODRUM[®] NEW PRODUCT

PORTABLE PICOCABLE PICODRUM

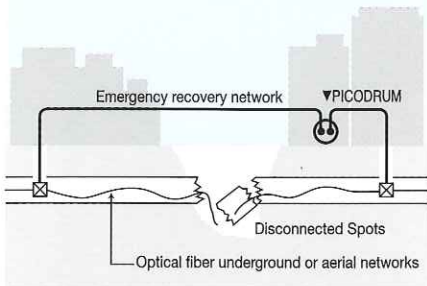
PICODRUM, as newly developed ; a Hybrid product reflecting global customer's requests for easy connection of optical fibers like electric wire extension cables.



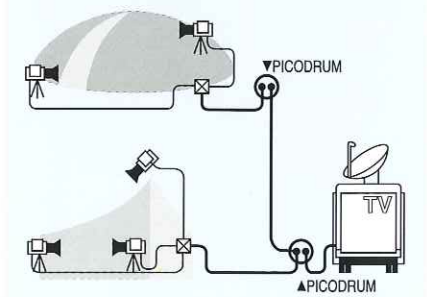
■ Typical Application of the PICODRUM



Ex1: Preliminary LAN Networking Roundabout Routing



Ex2: Public Communication Line Emergency Recovery



Ex3: Outdoor Relay Broadcast Network

■ Specification Sheet

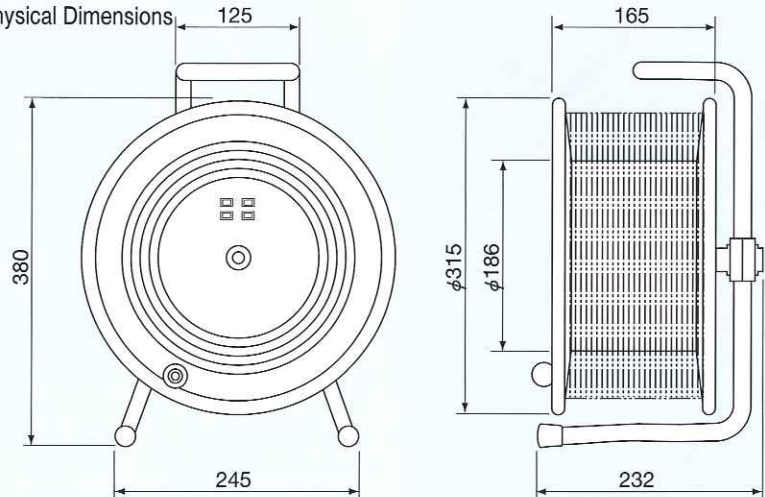
Model	PDMS14-120	PDMG14-120
Cable length(m)	120	120
Fiber type	SM 10/125	GI 50/125
Number of optical fiber	4	4
Connector type	SC	SC
Physical dimensions(mm)	φ 315×D165	φ 315×D165
Net weight(kg)	approx. 10	approx. 10
Main cable tension strength(N)	approx. 500	approx. 500
Main cable outer diameter(mm) (Olefinic Elastomer sheath)	approx. 6.8	approx. 6.8

■ Options

SC-ST Short Jumper
SC-FC Short Jumper

The SC type is a standard version for drum insertion connectors. Short jumpers types other than the SC type are also available.

■ Physical Dimensions



IMPORTANT NOTE Please be advised that Nippon Steel Welding Products & Engineering shall not be held responsible for damage caused by misunderstanding or improper use of the technical information contained in this brochure. The contents of this brochure may be subject to change without notice. Please inquire of related department for the latest information. No portion of this brochure may be reproduced without the express permission of Nippon Steel Welding Products & Engineering.



Manufacturer

Nippon Steel Welding Products & Engineering Co., Ltd.

Optoelectronics Business Unit
Nippon Steel Welding Products & Engineering Co., Ltd.
6-1, Higashi Narashino 7-chome, Narashino-shi,
Chiba 275-0001, Japan
Telephone: +81-47-479-1179
Facsimile: +81-47-479-4371
<http://www.nswelding.co.jp/indexENG.html>

Sales Representative Office